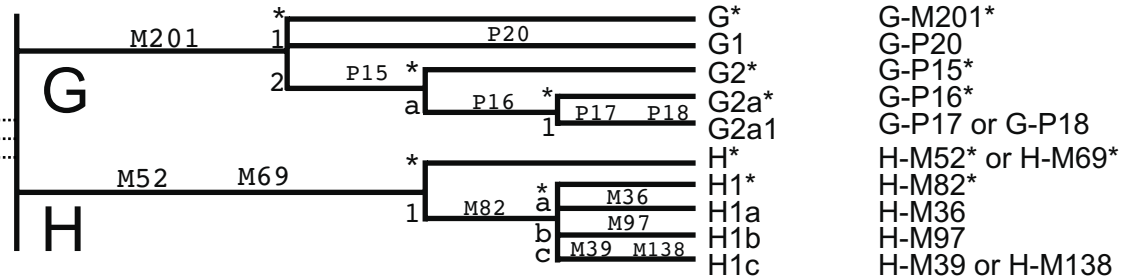
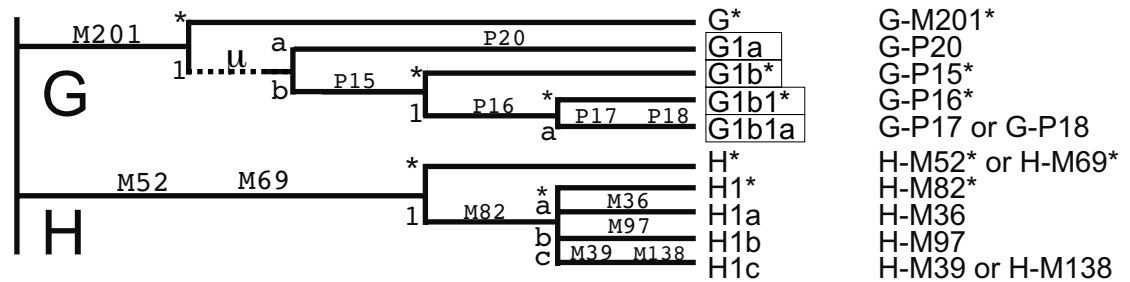


# Haplogroup Nomenclature

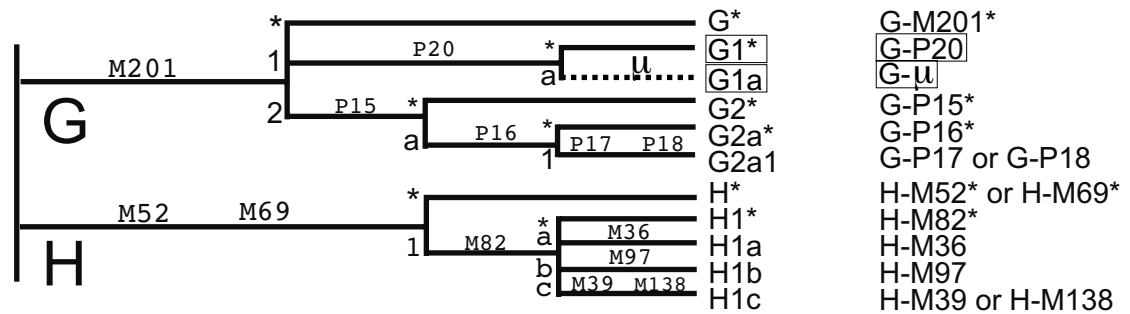
## A. Original Tree Topology



## B. Newly Discovered Mutation Joins Clades



## C. Newly Discovered Mutation Splits Clade



## D. Newly Discovered Sample Splits Lineage

