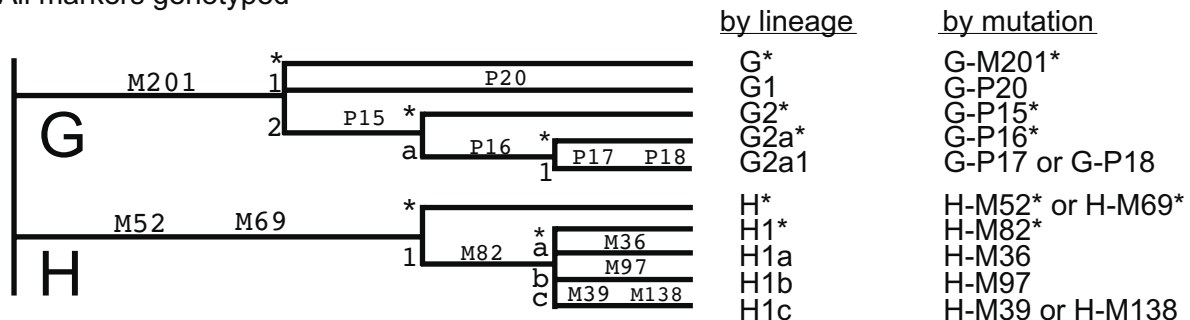


Haplogroup Nomenclature

A. All markers genotyped



B. Subset of markers genotyped in A.

